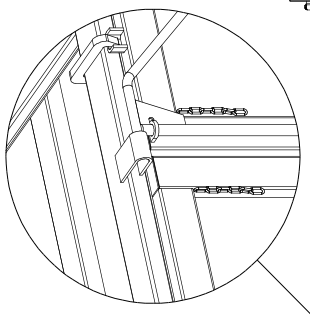


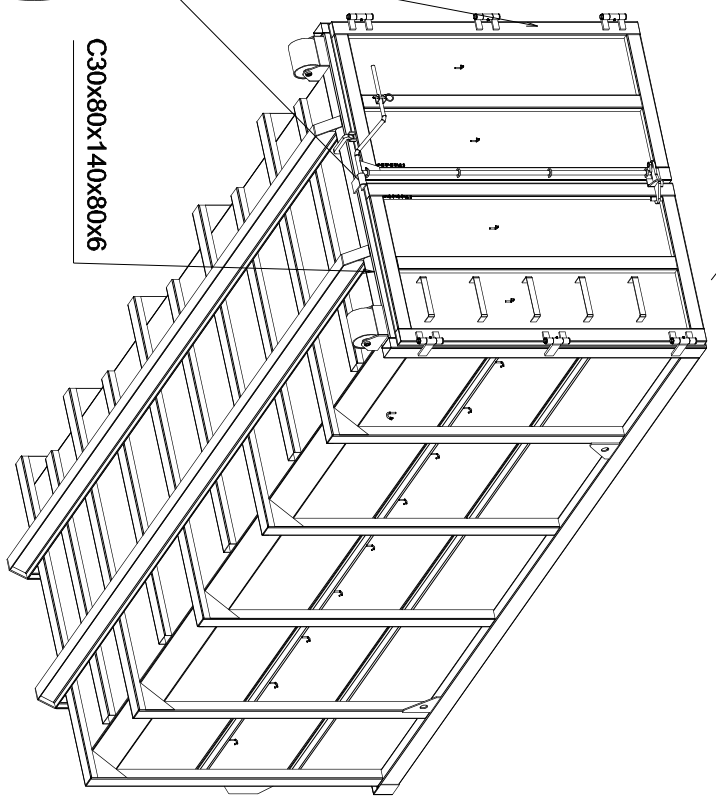
U110x70x3
U120x50x4



U100x50x4

tube 140x80x4

C30x80x140x80x6



STD 30m3
6000x2300x2184mm
4/3/3/3

